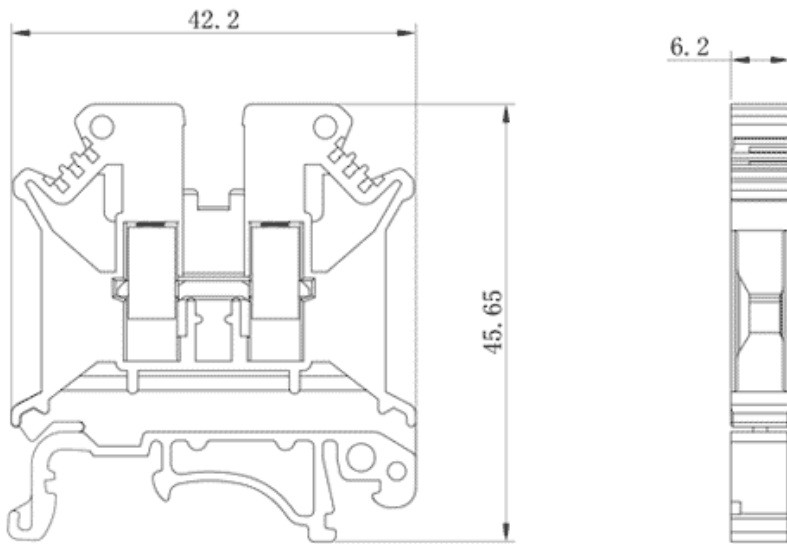


Product Type: Screw terminal

## Product Name:305991

Product Description: Connection method:Screw connection,IEC Rated current:32A,IEC Rated Voltage:800V,Number of connections:2,Number of levels : 1,Rated cross section:30-10AWG

### Product Size



### Parameters

⌘ SUPU ID	305991
⌘ Width	6.1mm
⌘ Number of levels	1
⌘ Number of connections	2

☞ Connection method	Screw connection
☞ Protection Level	IP20
☞ Insulation material	PA66
☞ Insulation material group	I
☞ Contact material	Copper
☞ Contact plating	Ni,Plated
☞ Ambient temperature (operation)	-40°C~105°C
☞ Ambient temperature (assembly)	-5°C~70°C
☞ Ambient temperature (storage)	-25°C~60°C
☞ Permissible humidity (storage/transport)	30%~70%
☞ Product type	Terminal block of side-entry

## Technical data

☞ IEC Rated Current	32A
☞ IEC Rated Voltage	800V
☞ Overvoltage category	III
☞ Degree of pollution	3
☞ Rated impulse voltage	8kV
☞ UL Rated Current	30A
☞ UL Rated Voltage	600V
☞ Conductor cross section rigid	0.2-6mm <sup>2</sup>
☞ Conductor cross section flexible	0.2-4mm <sup>2</sup>
☞ Conductor cross section flexible,with ferrule	0.25-4mm <sup>2</sup>
☞ Locking screw Specification	M3

☞ Locking screw torque	0.6-0.8N.m
☞ Fixed Screw Specification	/
☞ 固定螺钉扭矩	/
☞ Stripping length	8-9mm
☞ Use group	B/C
☞ Rated cross section	30-10AWG
☞ UL Rated Current	30A
☞ UL Rated Current	600V

## Commercial data

☞ Order No	305991
------------	--------

### Ningbo SUPU Electronics Co., Ltd.

Address: No. 150, Xinxing 4th Road, High-tech Industrial Development Zone,

Cixi City, Zhejiang Province, China

Zip code: 315303

Switchboard: +86 574-63288158

Fax: +86 574-63288170

E-mail:supucontact@supu.cn

Service Hotline: 400-626-6336



---

Date:2026-05-30 12:36

The right to modify data belongs to SUPU.